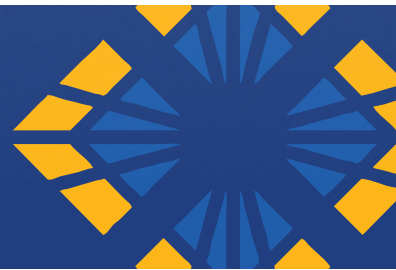


FRS Classic & FRS Elite

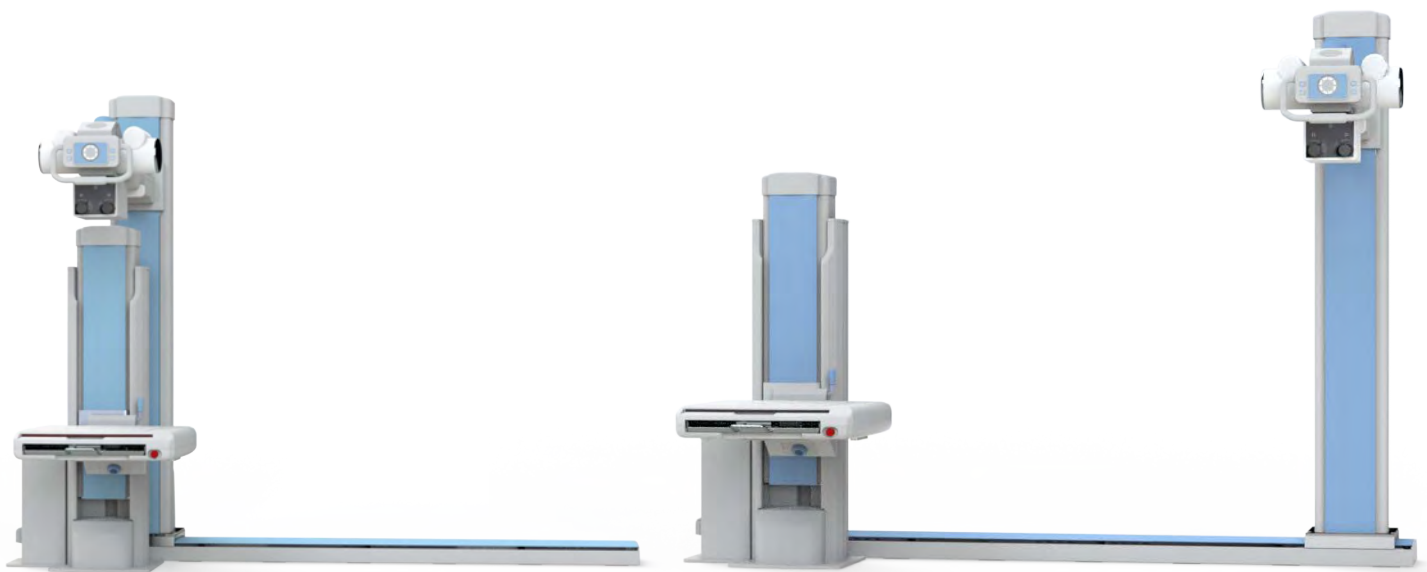


Getting patients in and out of your X-ray suite makes them happy and keeps your waiting room empty. Having a piece of equipment that allows you to do more with less makes this a reality. The AMRAD Medical FRS (Floor Rail System) is a traditional floor-mounted tube stand with motorized wall stand that puts the best of upright imaging and table imaging all-in-one.



Perform a full range of exams including:

- Upright Thoracic Imaging
- Upper and Lower Extremities
- Weight Bearing Studies
- Table and Cross-Table Exams are possible with the mobile table



Features and Benefits

- **Improve Productivity** - Migrating exams to standing positions helps to improve productivity
- **Simplicity** - A simple durable design minimizes the potential for downtime
- **Protect your investment** - The single receptor design protects your DR investment by not requiring panel movement between receptor locations
- **Minimal Learning Curve** - Traditional floor mounted design means no complicated learning curve for technologists
- **Industry's Best Warranty** - 5-year parts warranty, standard, ensuring a low cost of ownership





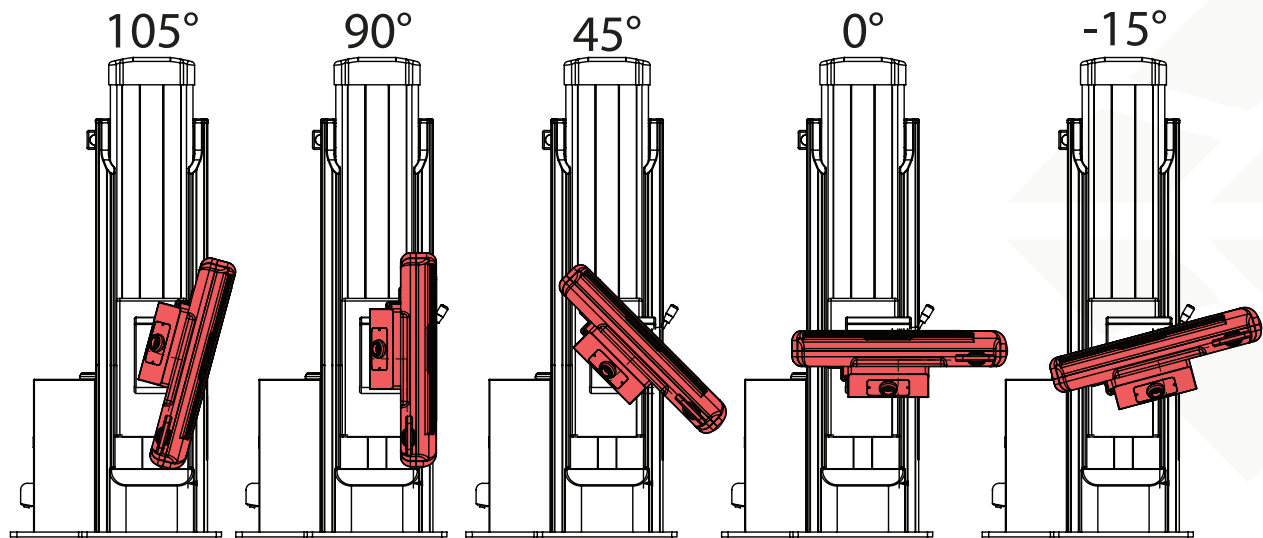
Upgrade to Auto-Tracking!

Quick efficient positioning improves throughput and productivity. The AMRAD Medical FRS Elite comes equipped with our **auto-tracking** feature which allows the tech to position the tube stand while staying right beside their patient at the wall stand.

With the simple touch of a button on the angulation handle, auto-tracking can be enabled keeping the tube stand constantly aligned with the wall stand as it is moved up and down for positioning. Any movement of the tube stand will disengage auto-tracking and the tube stand will operate in a manual mode.

Rotation Range -15° to +105° in 5° Increments

Available in Right And Left Load/Shoot Positions



System Description

Motorized Elevating Detector Stand

- Footswitch and hand button operation
- -15° to +105° manual cabinet rotation in 5° increments
- Available with (choose one):
 - Mounting plate for fixed DR
 - Removable 103 line 10:1 grid
- Collision sensing and emergency shut-off

Floor Mount Tubestand

- 8-foot floor rail
- Manual, fully counterbalanced movement
- Electric locks
- Tube rotation: +/- 135°

Mobile Table

- 500 pound patient capacity

Certified Manual Collimator

- LED light source
- Patient Position LASER

Configuration Flexibility

- 30kW to 80kW generators
- Compatible with all DR solutions
- Right or left shoot



SUMMIT INDUSTRIES, LLC
7555 N. Caldwell Avenue, Niles, Illinois 60714
(p) 773-353-4000 | (p) 1-800-729-9729



LITR030-0923